

Table-Top Conveyor

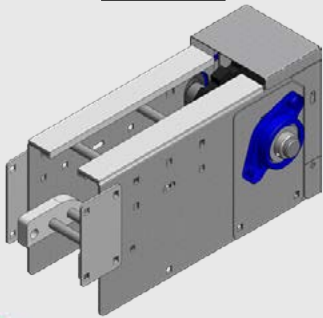


MCE Catalog
Information.
Scan with QR
Reader.



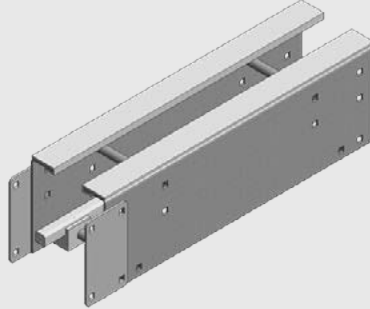
Available in 3.25," 4.5," 7.5," & 12" Wide,
Open-Top Frame Designs

Idle End



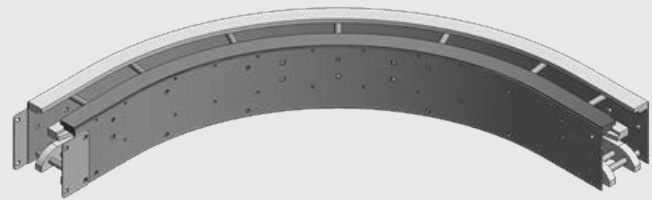
- 15" Overall Length
- 8" Deep Frame

Intermediate



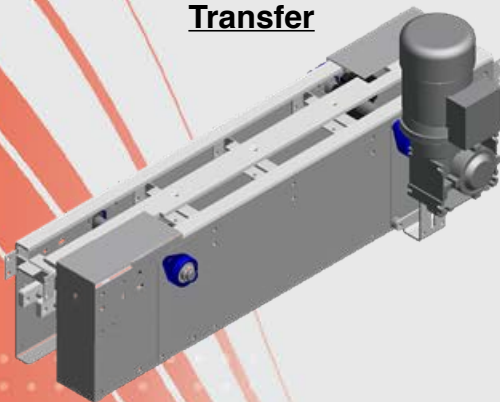
- Standard Lengths in 120," 92," 64," 36," 18"
- Also Available 6" to 33 1/2" Lengths (1/2" Increments)
- 5 1/2" Deep Frame

Turn



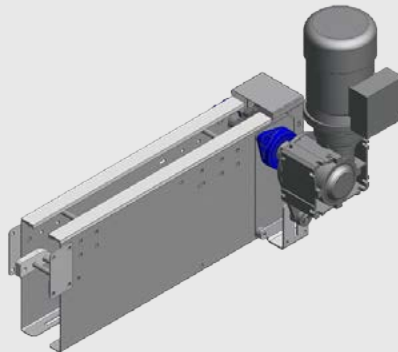
- Available in 30,° 45,° & 90°
- 5 1/2" Deep Frame

Transfer



- 48" & 60" Overall Lengths
- 12" Deep Frame
- Available in Parallel & Inline

Drive End



- 30" Overall Length
- 12" Deep Frame

Accessories

- Multiple Support Leg Types
- Various Guide Rail Types with Adjustable Brackets
- Cope Sections for Elevation Changes
- End-to-End Deadplate Transfers
- Disc Turns (3.25" & 4.5" only)
- Tent Covers & Drip Pans (3.25" & 4.5" only)
- 1:2 & 1:3 Divert Gates

Mat-Style Conveyor

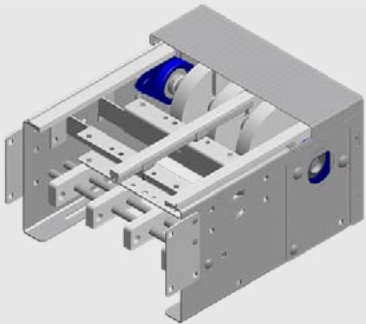


MCE Catalog
Information.
Scan with QR
Reader.



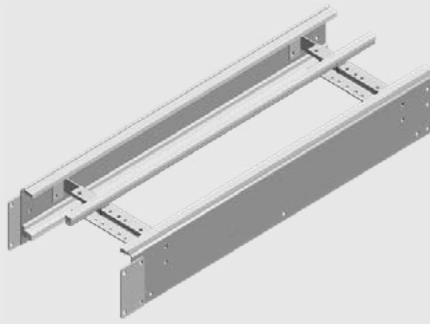
Available in 12" & 18" Wide, Open Top Frame Design

Idle End



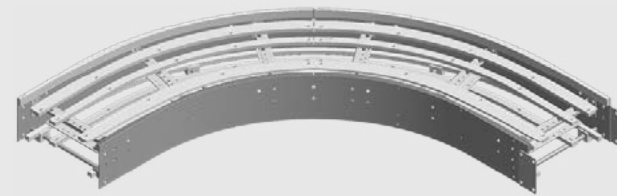
- 15" Overall Length
- 8" Deep Frame

Intermediate



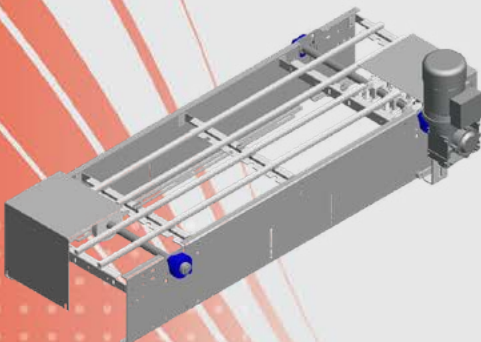
- Standard Lengths include 120," 92," 64," 36," 18"
- Also Available 6" to 33 1/2" Length (1/2" Increments)
- 5 1/2" Deep Frame

Turn



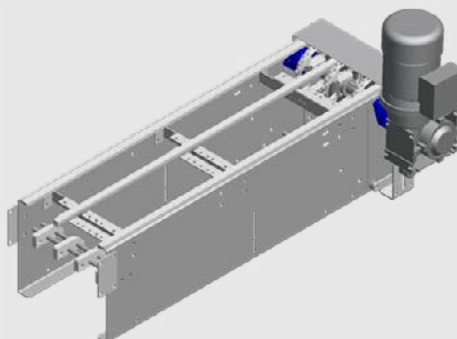
- Available in 45,° & 90°
- 5 1/2" Deep Frame

Transfer



- 60" Overall Length
- 12" Deep Frame
- Available in Parallel & Inline

Drive End



- 45" Overall Length
- 12" Deep Frame

Accessories

- Multiple Support Leg Types
- Various Guide Rail Types with Adjustable Brackets
- Cope Sections for Elevation Changes
- End-to-End Deadplate Transfers
- 1:2 Divert Gates